

SDR in Car Radios

Evert-Jan Pol

Catena Radio Design

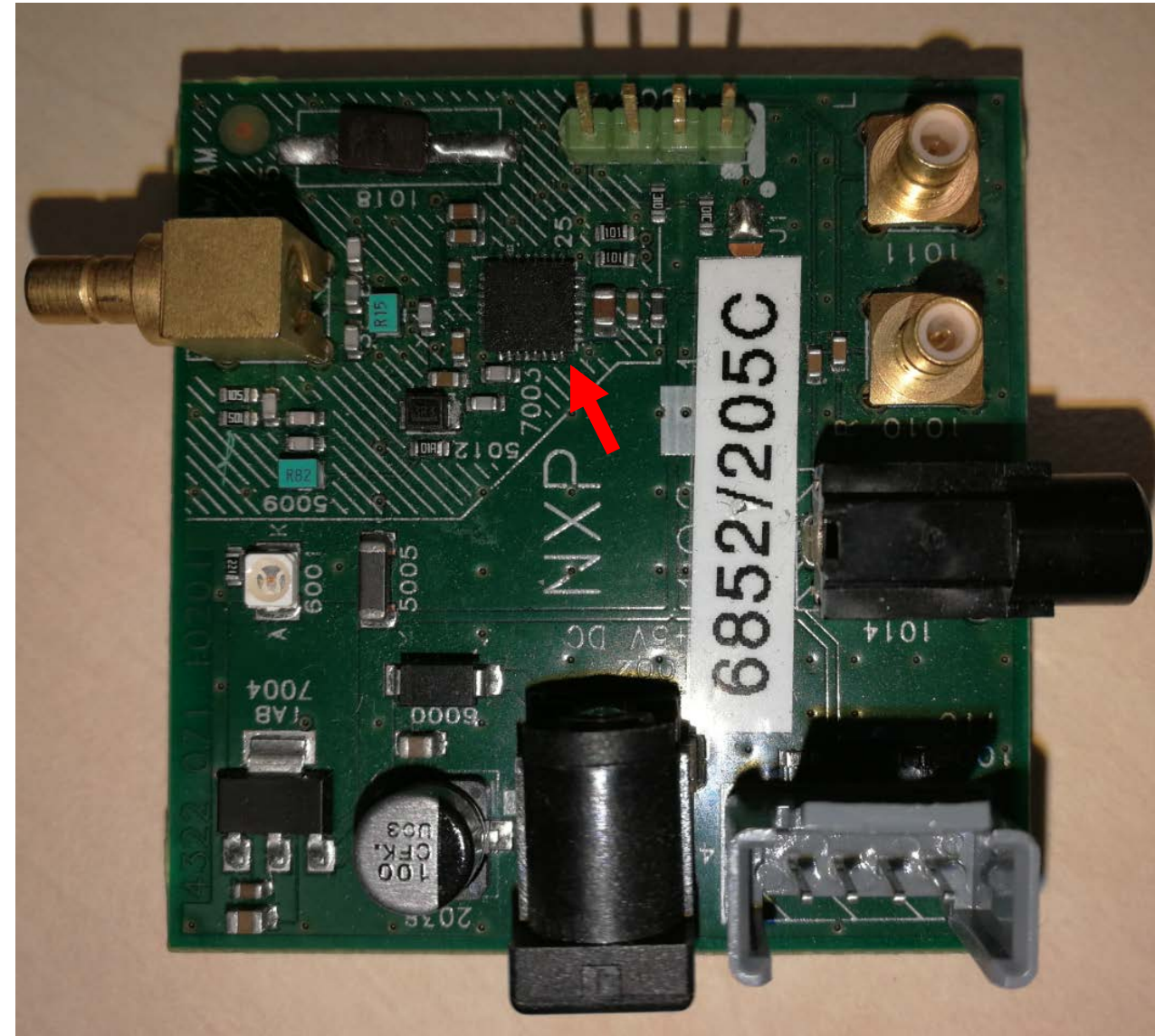
28-05-2019

Car radio

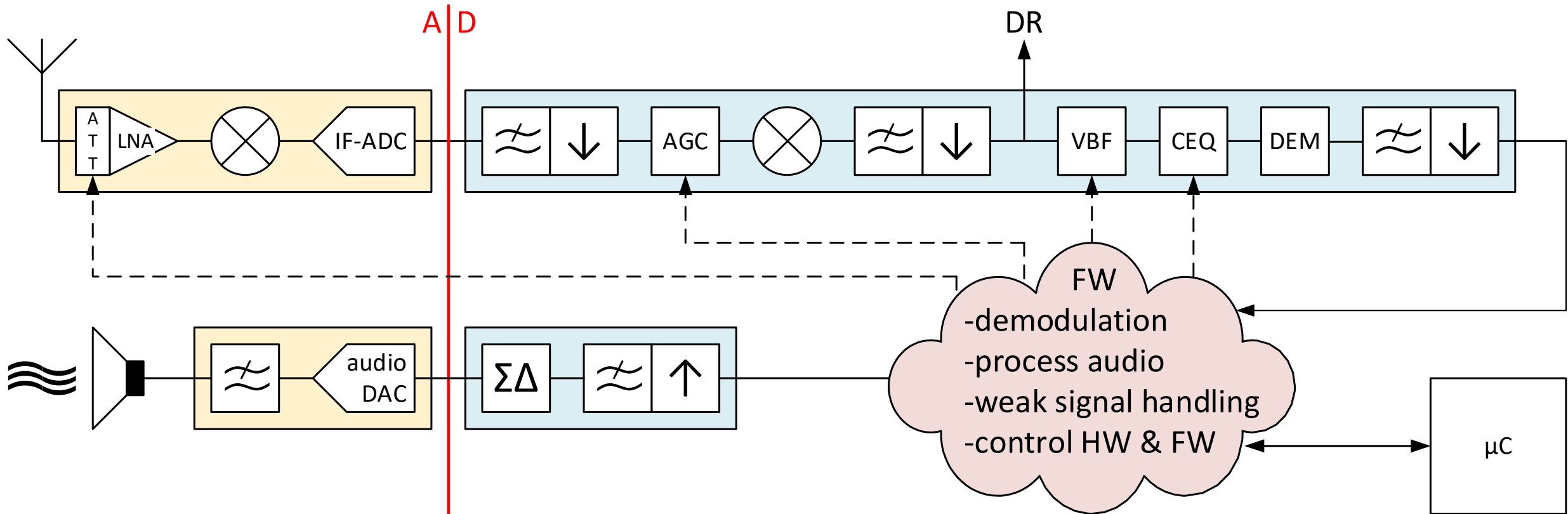
- Analog and digital broadcast standards
 - AM, FM, OIRT, NWR
 - DAB, HD-radio, DRM, CDR
- Digital channels in analog standards
 - RDS, DARC
- Mobile
- High quality requirements
 - Weak Signal Handling
- Reception only
- Large battery 😊
 - Power dissipation 1 – 2 W

Example: Atomic2

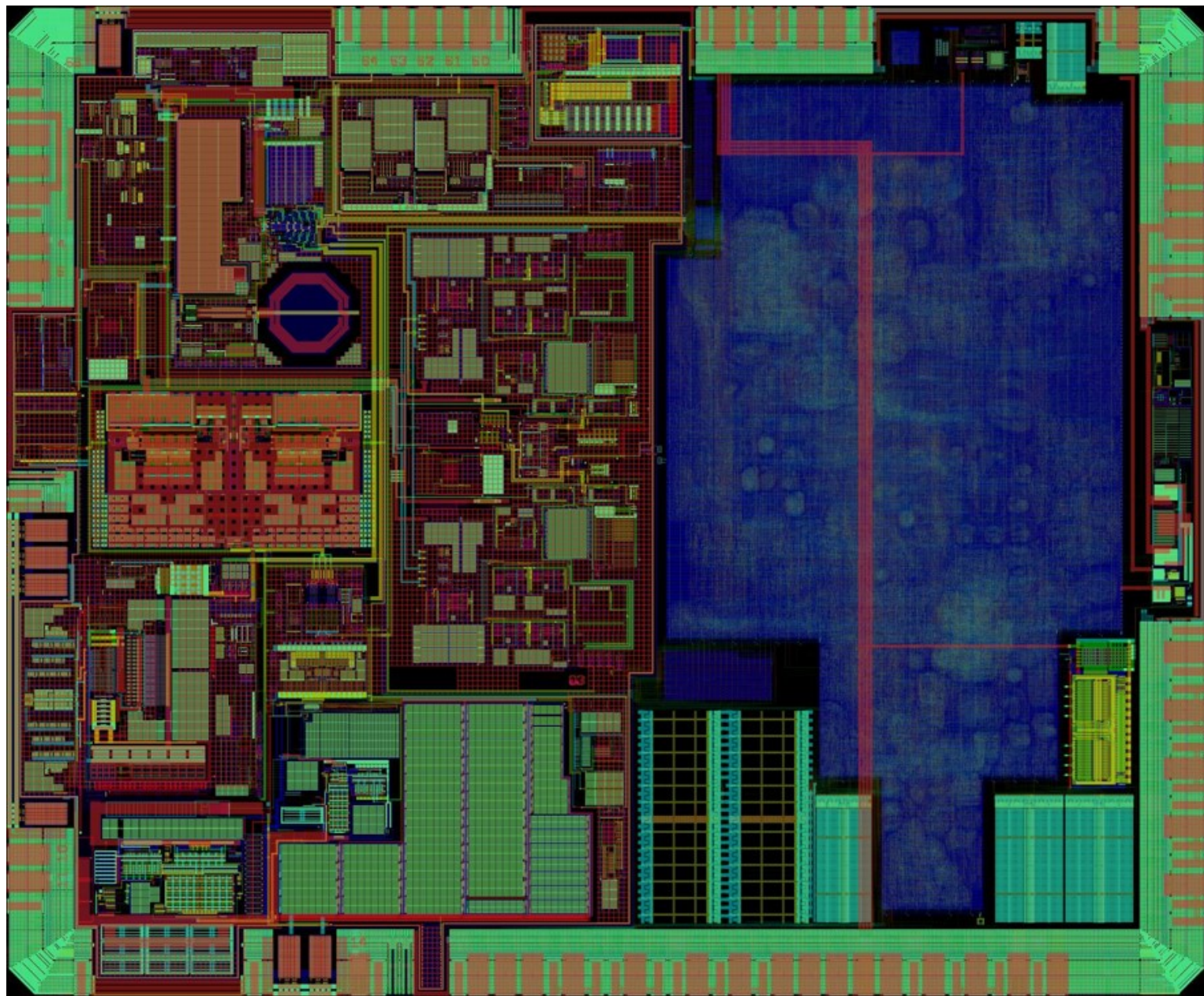
- Single-pipe AM/FM reception
 - Including RDS
- HD-Radio and DRM tuning
 - Base band I2S interface to digital radio decoder
- Contains:
 - Analog circuitry
 - Digital circuitry
 - Firmware



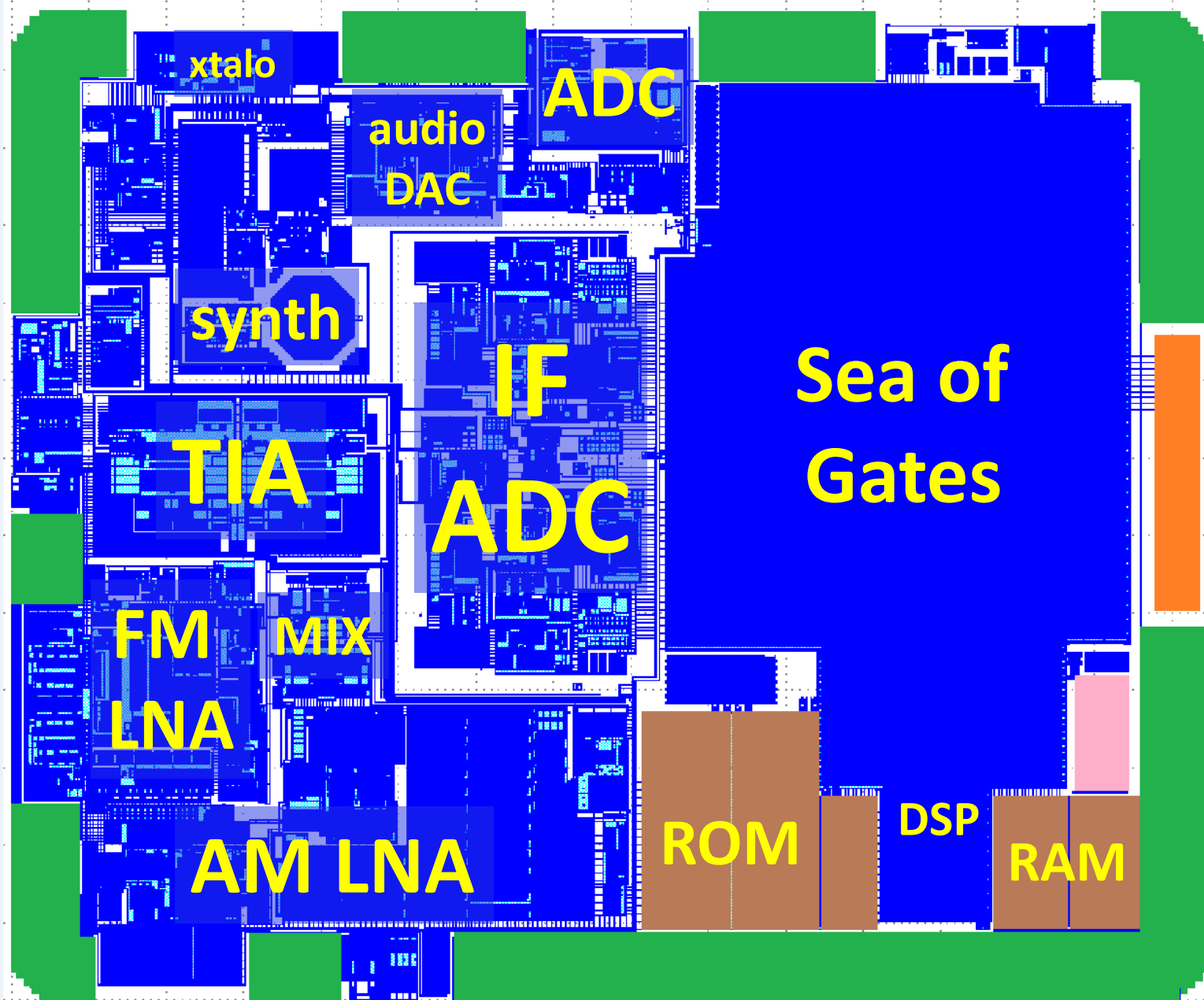
Functional system overview



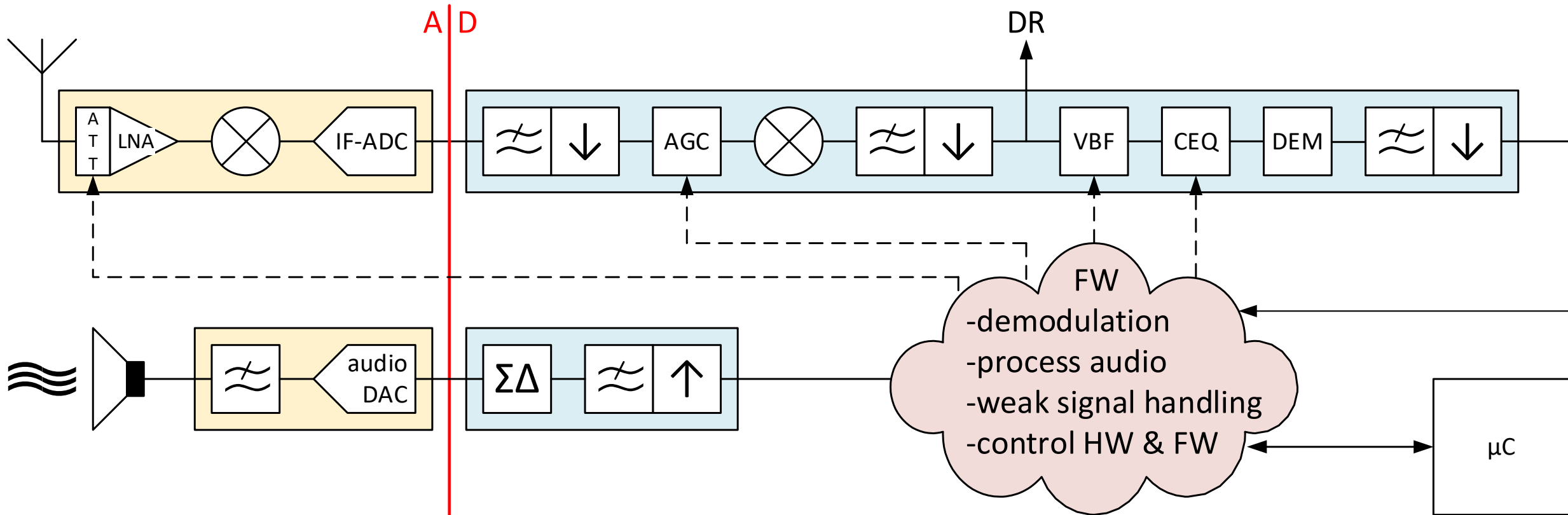
Die layout (I)



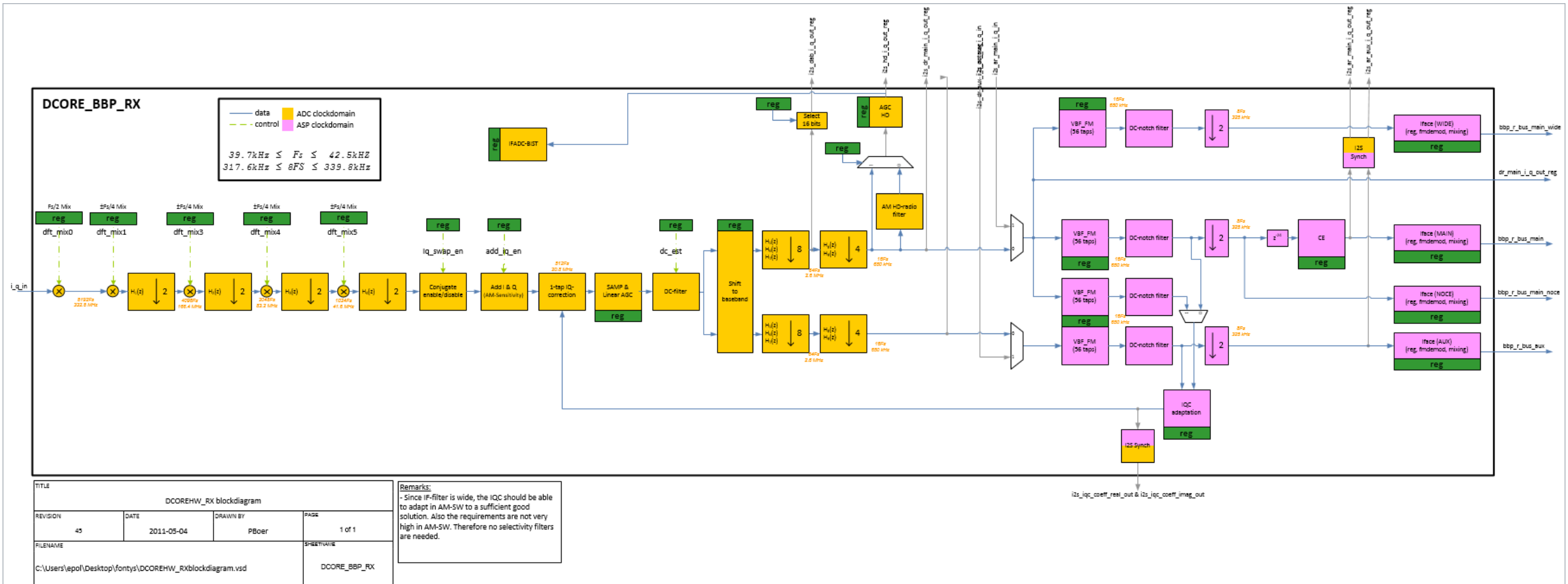
Die layout (II)



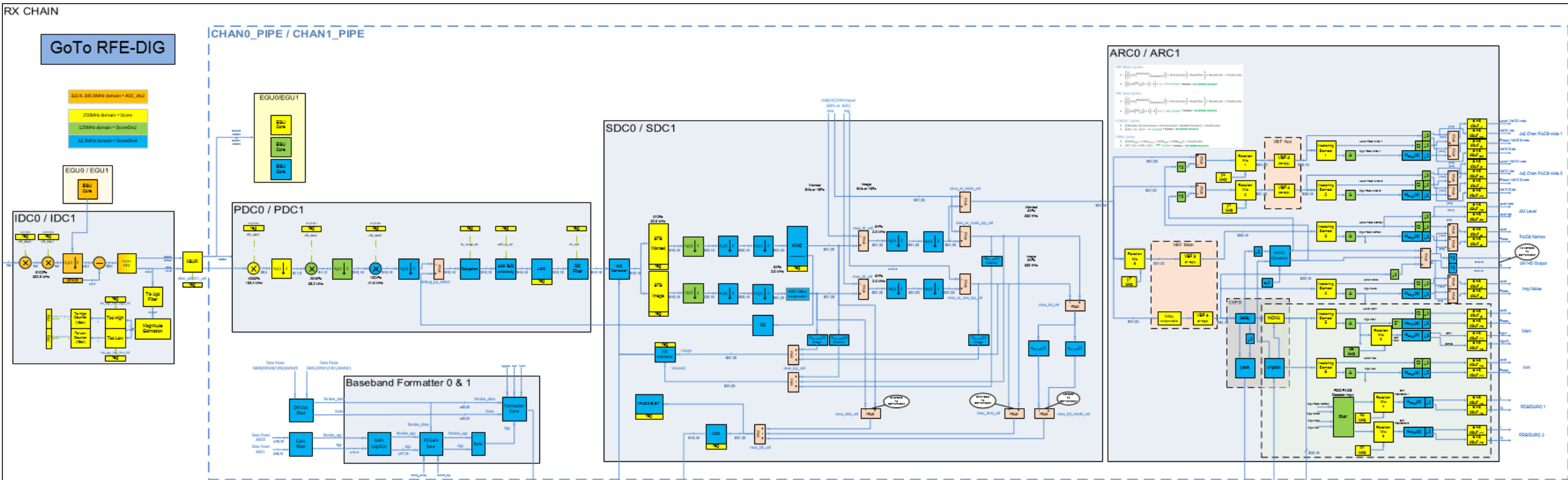
Functional system overview



Hardwired signal processing (I)



Hardwired signal processing (II)

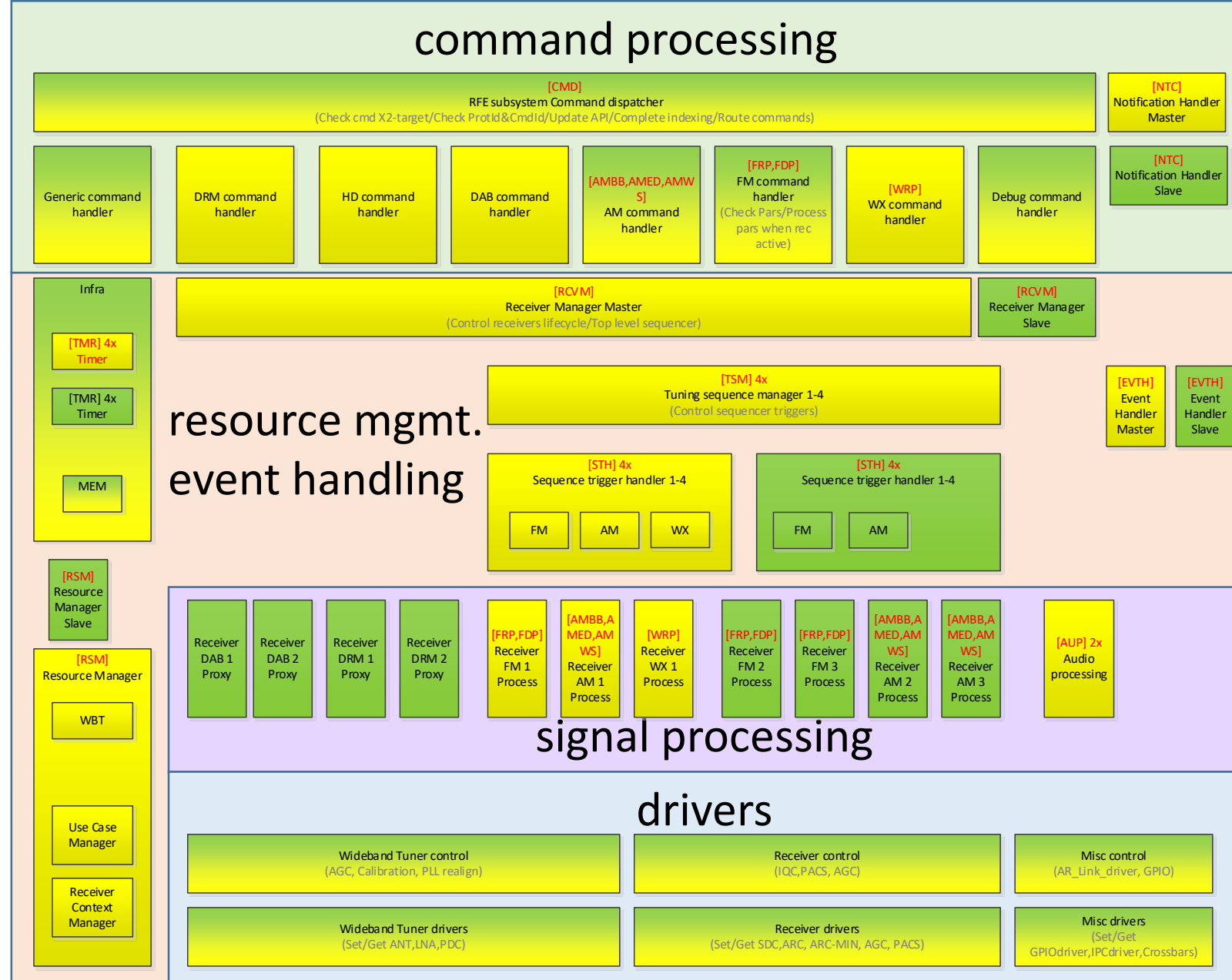


Design complexities

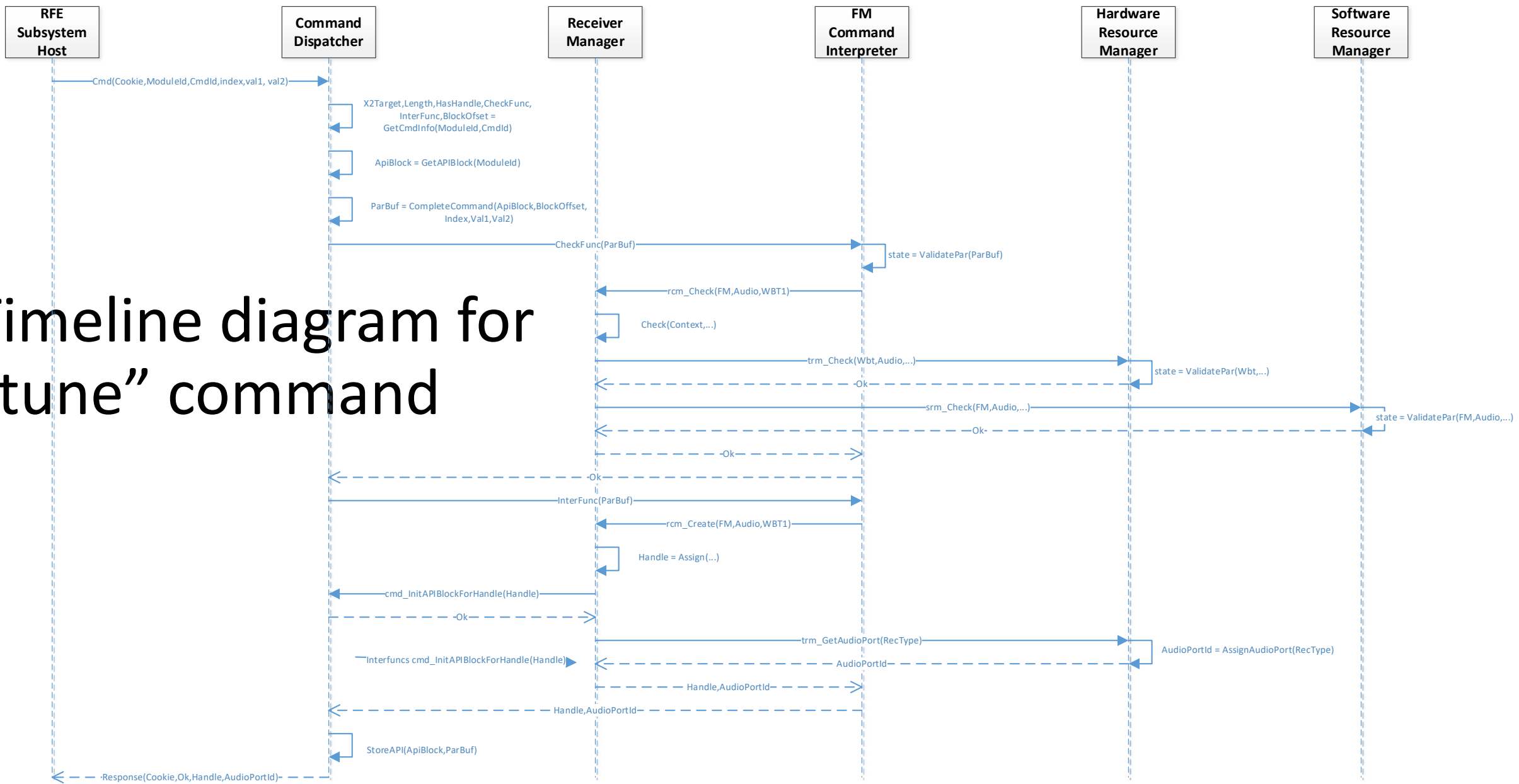
- Analog Design:
 - Performance requirements
 - Noise, linearity, area, power consumption
- Digital Design:
 - Signal processing accuracy & functionality
- Firmware Design:
 - Adaptive signal processing
 - Control of signal processing in HW and FW
 - Real-Time operation

FW architecture

- Main FW modules:
 - Command processing
 - Resource management
 - Event handling
 - Signal processing
 - Drivers



Timeline diagram for “tune” command



SDR in Digital Radio reception

- Some baseband processing is done in HW
 - E.g, DAB base band sample rate is 2 Msamples/s
 - Some Sample Rate Conversion (SRC) is required to lock onto transmitter
 - Locking onto transmitter is needed in order to obtain useful spectra
- After SRC, the baseband signal is analyzed in the spectral domain
 - Fourier transform is executed in FW on a powerful DSP
 - SRC is adjusted based on results of spectral transform
- Two independent signals may be combined at this point
 - Option if the car has two physically separated antennas
 - FW Algorithm deployed is called Maximum Ratio Combining (MRC)
- Then, fully FW-based decoding of multiple data streams can proceed

Development of new features

- Development platforms need to be programmable
 - MatLab on PC for off-line simulation
 - Feasibility studies
 - FPGA implementation for real-time execution
 - Long settling/measurement time intervals
 - Field tests
- Sometimes previous products can be used to develop new features

Conclusion

- Car radio products contain analog and digital circuitry, and firmware
- The analog and digital parts make a (very) good stationary radio
- The firmware content makes the product a great car radio

- Firmware deals with
 - Dynamic circumstances
 - Weak signals
- Firmware needs to cooperate closely with hardware
 - Lots of interfaces for measurement and control
- Programmability is crucial for products and development