

# Construction Management-as-Agent MOMENTUM



Michiel Korthals Altes  
Project Delivery

# Construction Management-as-Agent Partners in Joint Venture



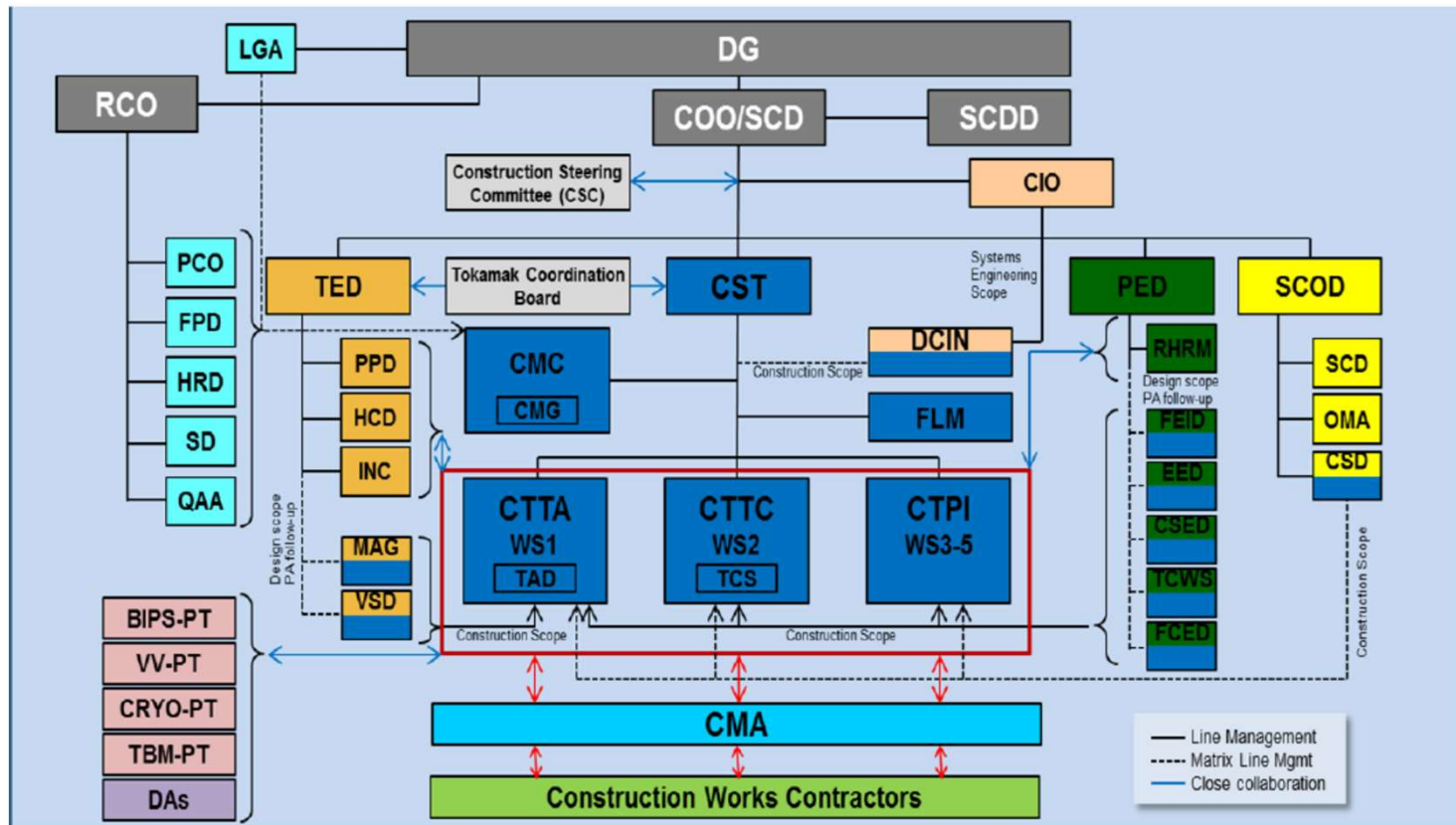
UK, French and Korean joint venture brings together the power of three to create an international partnership for IO construction delivery

A graphic with a dark blue background on the left and a teal background on the right. The left side contains the logos for wood., on system, and KEPCO E&C. The right side contains a list of five bullet points and the MOMENTUM logo at the bottom.

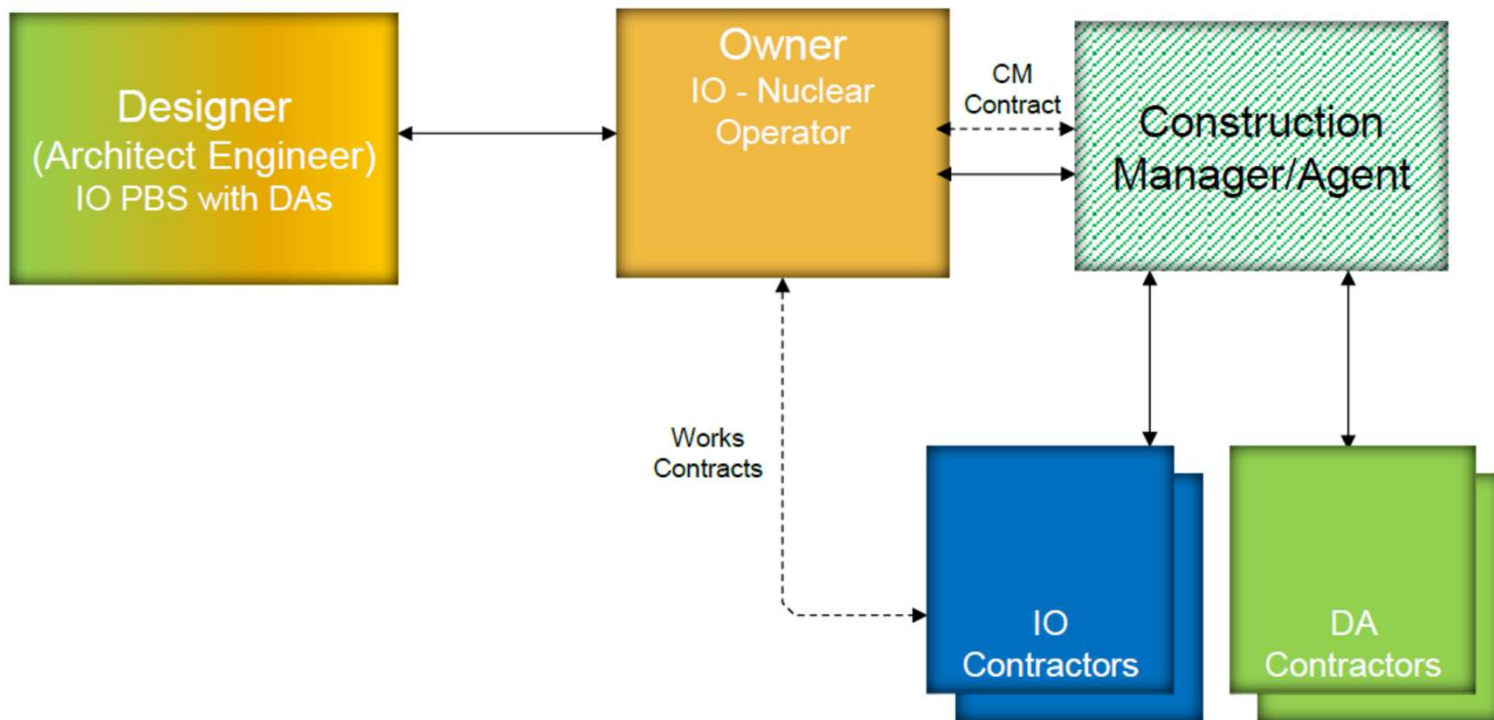
- ▶ Proven experience of delivering major construction projects worldwide in high technology 'first of a kind' environments
- ▶ Long-term commitment to ITER and fusion with established relationships
- ▶ Significant footprint in France and indepth knowledge of nuclear regulations
- ▶ Full nuclear lifecycle experience in Europe, Asia and North America
- ▶ Established multi-national team for CMA and proven experience of working together

The MOMENTUM logo is positioned at the bottom right of the graphic, featuring the word "MOMENTUM" in a bold, sans-serif font with a stylized orange and white "O" and a shadow underneath.

# IO construction organisation



# CMA role



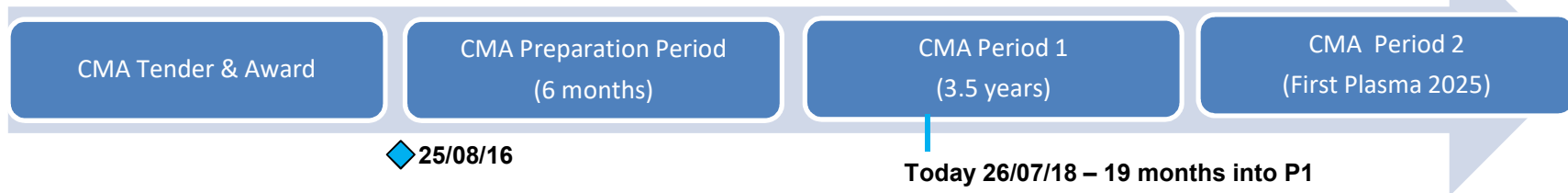
# MOMENTUM: ITER Construction Management

- A 13 year lump sum contract requiring a long term commitment
- Around 1 700 000 hours of work
- A multidisciplinary contract
  - Contract Management
  - Project Management
  - Construction preparation
  - Site Coordination
  - Works Supervision
  - Completion Activities

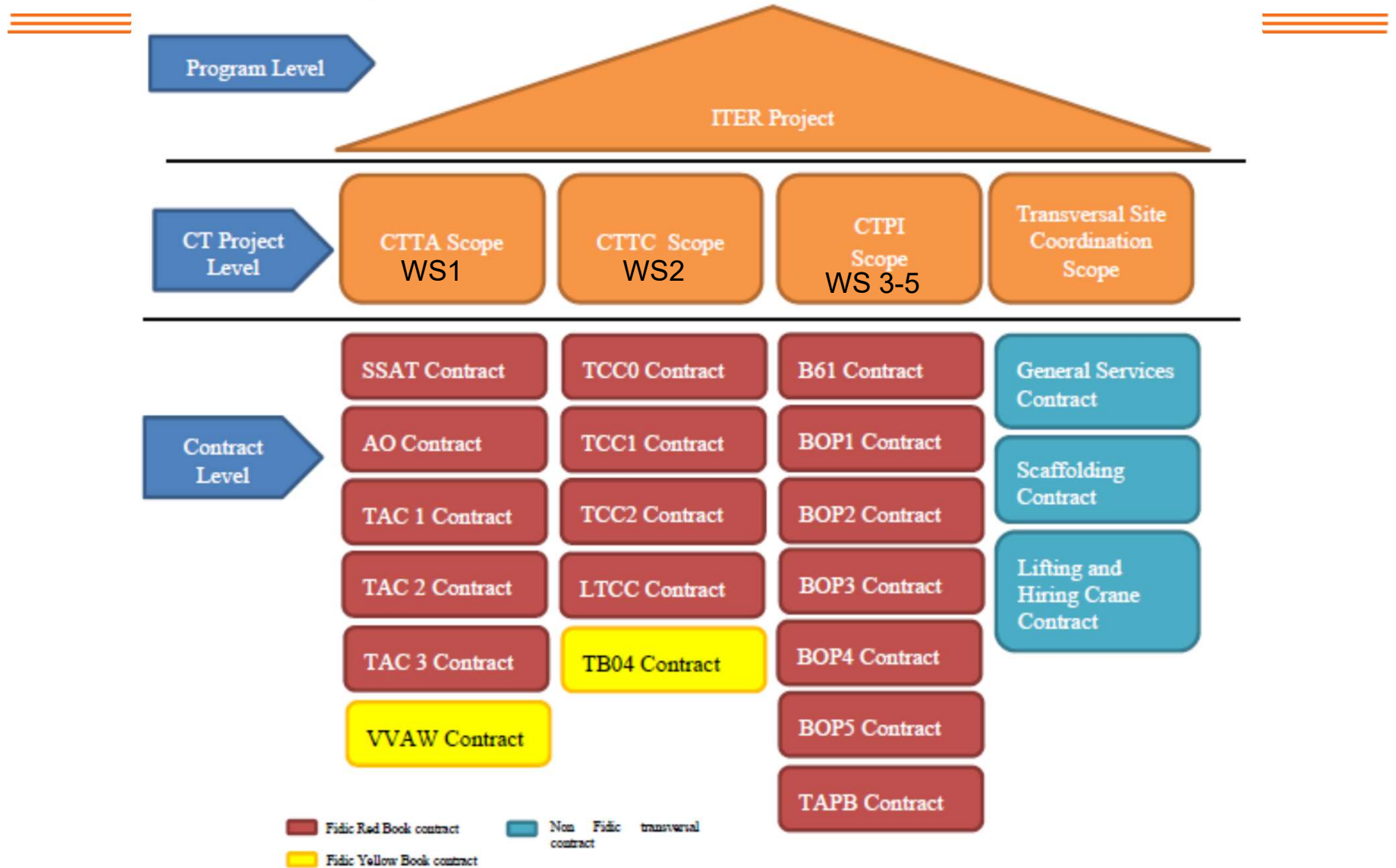


# CMA Scope and Schedule

- Construction Project Management
- FIDIC Engineer
- Ensures works are performed safely and compliantly to schedule and cost targets
- Prepares construction work packages including hazards assessment and testing requirements
- Coordination and management of the works carried out by the IO and domestic agency contractors



# CONTRACTUAL BREAKDOWN



# MAJOR PROJECT CHALLENGES COST & SCHEDULE OVERRUN



---

---

## Engineering:

- First of Kind
- Risk of immature design leading to reworks and delays
- Many actors using different tools (such as 3D models)

## Procurement/ Manufacturing:

- No pre-existing supply chain
- Very stringent quality norms

## Construction:

- Heavy co-activity with many contractors

## Nuclear Constraints:

- Expectations of "Autorite de Surete Nucleaire"

## Governance:

- Decision processes with numerous stakeholders

## Length of project:

- Evolution of state of art between 2005 and 2035...